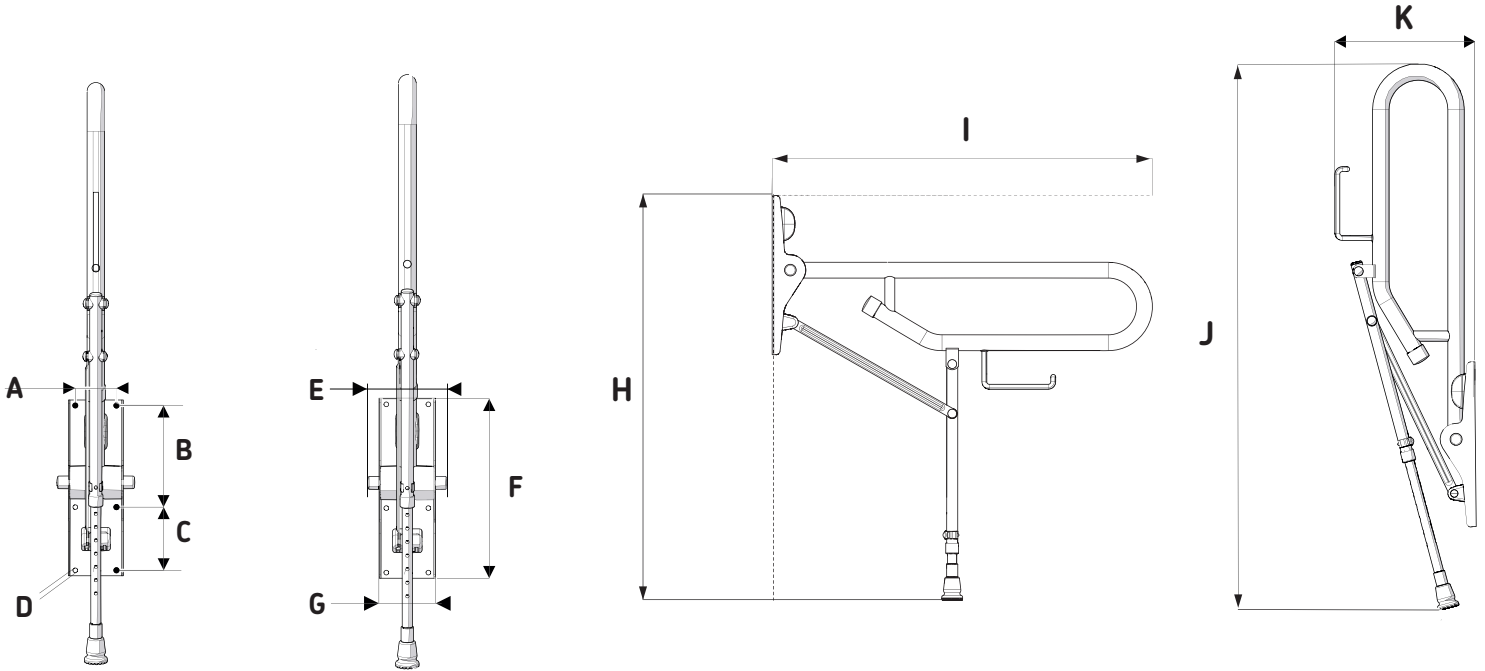


1800 Series Double Fold-Up Support Bar

<p>Models</p> <p><input type="checkbox"/> 01810 (<input type="checkbox"/>WH <input type="checkbox"/>BU) <input type="checkbox"/> 01830 (<input type="checkbox"/>WH <input type="checkbox"/>BU)</p> <p><input type="checkbox"/> 01820 (<input type="checkbox"/>WH <input type="checkbox"/>BU) <input checked="" type="checkbox"/> 01830 (<input checked="" type="checkbox"/>SS)</p>	<p>Code Compliance</p>
---	-------------------------------



Fixing Plate Dimensions

Support Rail Dimensions

A	B	C	D	E	F	G	H	I	J	K
3"	7 ³ / ₈ "	4 ¹ / ₂ "	³ / ₈ " diam	5 ¹ / ₂ "	12 ¹ / ₂ "	4"	26 ³ / ₄ "-34 ³ / ₄ "	30 ¹ / ₈ "	41 ³ / ₄ "	11 ¹ / ₂ "
75mm	185mm	115mm	8.5mm diam	142mm	320mm	100mm	680-880mm	765mm	1060mm	290mm

Technical Specifications

Composition:
Shipped Weight: 10lbs
Handing: Non -handed
Weight capacity: 220kg/ 440lbs when properly fastened to blocking/concrete
Color: Polished Stainless Steel
Warranties: 10 years for residential use or 5 years for commercial use

Features

- Folds neatly back to wall when not in use
- Supporting leg for additional strength and stability
- Leg adjusts in 25mm ³/₄" increments
- + / - ¹/₂" fine adjustment to foot of support leg
- Includes toilet roll holder for convenience

Recommended Accessories

- Heavy-Duty Grab Bar
-
-